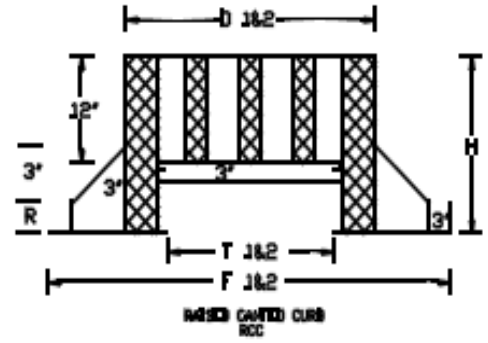
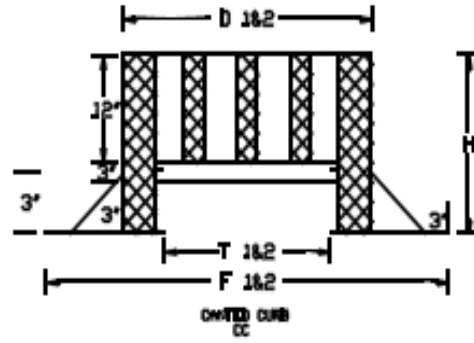
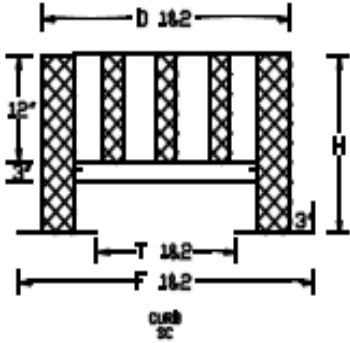


Standard Construction

- 18 GAUGE GALVANIZED
- FULLY WELDED CONSTRUCTION
- 1.5", 3LB. DENSITY INSULATION
- 2" FLANGE OUT
- 2" x 2" UNTREATED WOOD NAILER

Optional Features

- DAMPER TRAY
- ALUMINUM CONSTRUCTION (14GA)
- NO WOOD NAILER
- TREATED NAILER



Tag	Type	Qty	D(1)	D(2)	F(1)	F(2)	T(1)	T(2)	H	R



Hranec Sheet Metal, Inc.
 763 Route 21
 Uniontown, PA 15401
 Phone: (724) 437-2211
 Fax: (724) 437-2233
 www.hranecurbs.com

P.O. Number : _____
 Customer: _____
 Project: _____
 Location: _____
 Architect: _____

