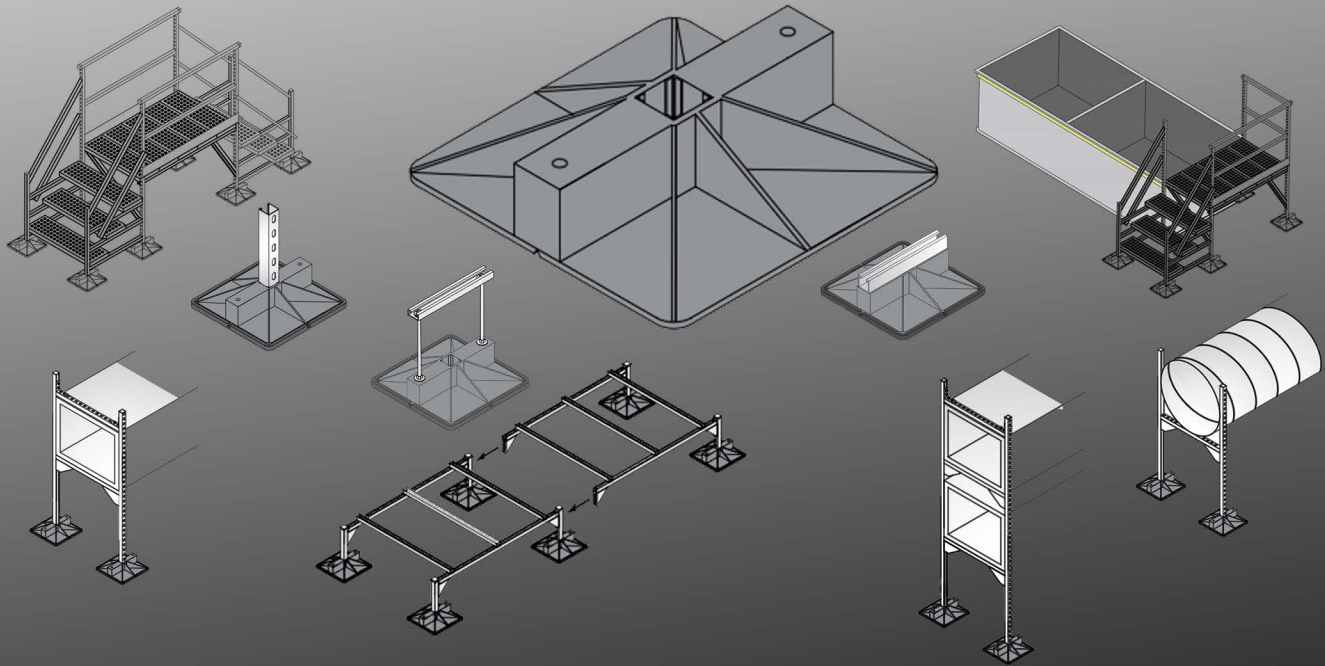
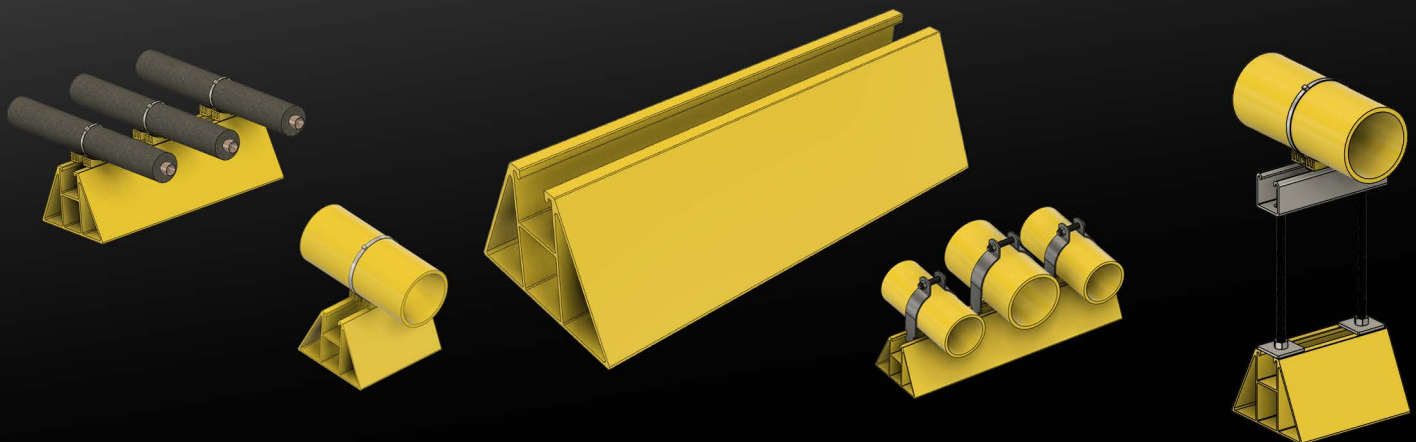




Condenser Stand, Ductwork Stand Supports



Mighty Mount Jr. Pipe Supports

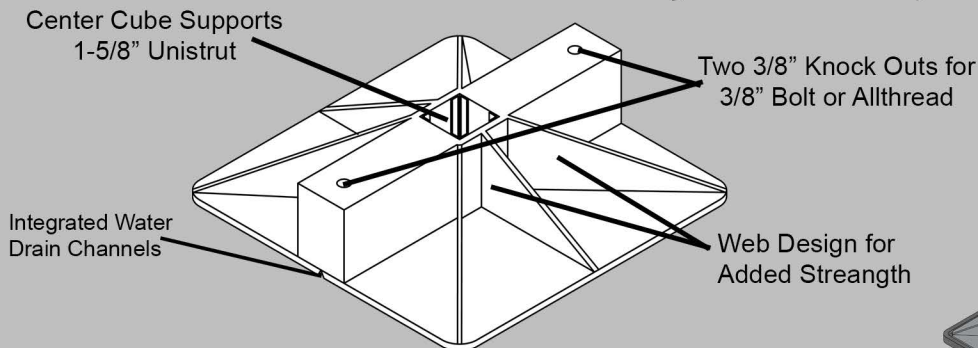




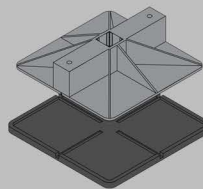
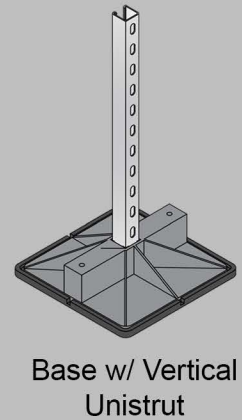
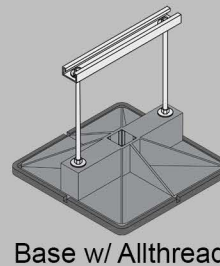
NYLON BASE

NB-500 Nylon Base

Non-Penetrating Roof Top Supports



- ✓ Molded from Nylon 6x6 with 30% Fiberglass Fill Making it a Very Strong Footing
- ✓ NB-500 Capacity 432 lbs*
- ✓ NB-500 with SB-13 Capacity 500 lbs*
- ✓ 12" Square Footing
- ✓ Center Cube Fits 1-5/8" Unistrut and 1-1/4" Pipe
- ✓ Integrated Water Drain Channels
- ✓ Webbed Design Distributes Weight Uniformly Across the Base.
- ✓ Two 3/8" Hole Knock Outs for 3/8" Bolt or Allthread

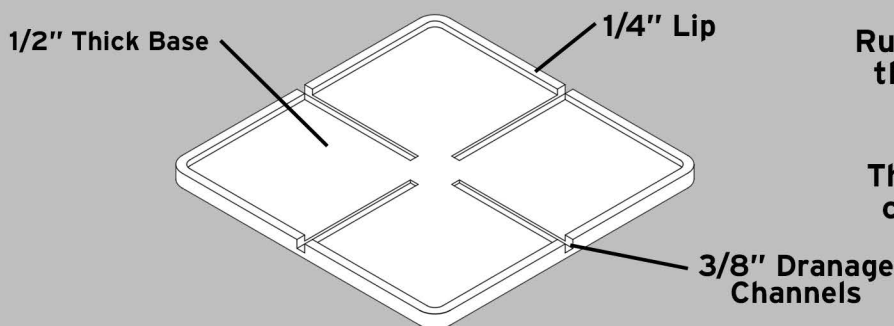


NB-500 Nylon Base and SB-13 Rubber Sub-Base Ships Together



Rubber Sub-Base

1/2" Thick x 13" x 13"



Rubber Sub-base forms a cushion between the Nylon base and the roof membrane. Protecting the roof membrane from

This cushion reduce the vibration noise caused by the equipment it supports.

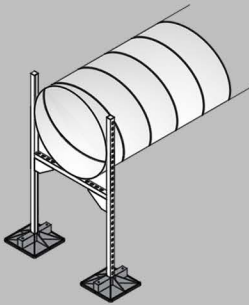
Rubber Sub-base Made From 60 Durometer Shore A SBR Rubber. Same Hardness as Truck Tread.

*Load is based on limiting the load on the roof membrane to 3 psi.

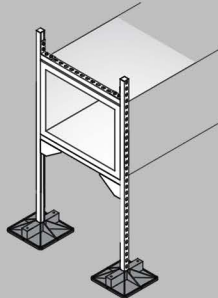


DUCTWORK STANDS

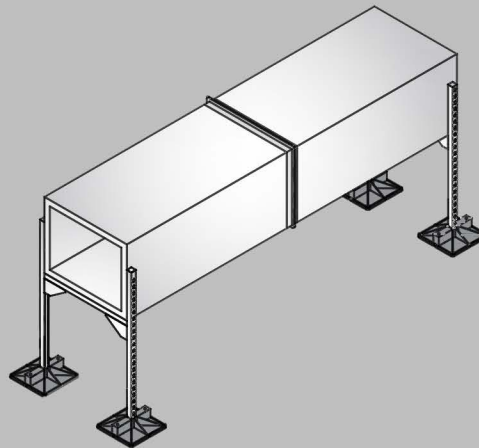
NON-PENETRATING ROOF TOP SOLUTION FOR INSTALLING DUCTWORK ON FLAT ROOFS



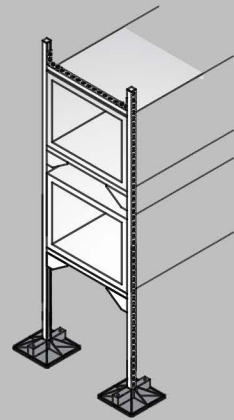
ROUND DUCT SUPPORT
DESIGN MODEL: **RDS**



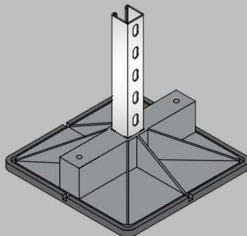
ENCLOSED DUCT SUPPORT
DESIGN MODEL: **EDS**



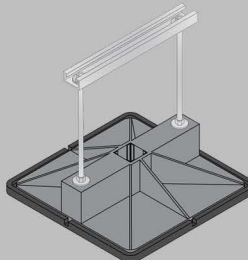
OPENED DUCT SUPPORT
DESIGN MODEL: **ODS**



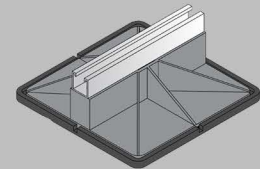
MULTI-TIER DUCT SUPPORT
DESIGN MODEL: **MTDS**



1-5/8 Unistrut
Support for
Ductwork and
Condenser
Support Stands



13/16" Unistrut
with Adjustable
3/8" All-thread
Rod



1-5/8" Unistrut
Bolted to Base

**NB-500 Nylon Base with Rubber Sub-base
can support 500* lbs. each.**

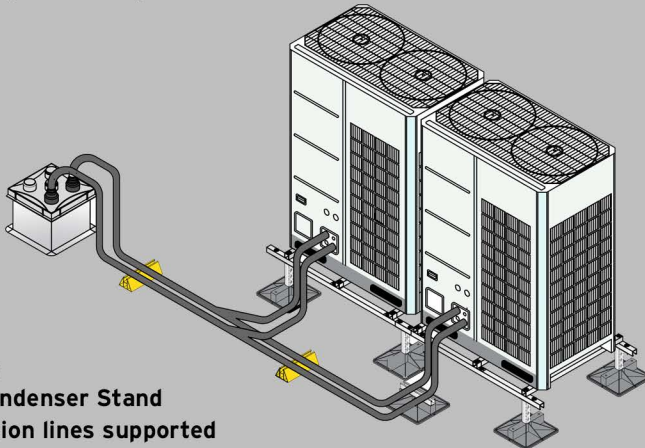
***500 lb. load is based on limiting the load on the roof membrane to 3 psi.**

NB-500 UV Rated

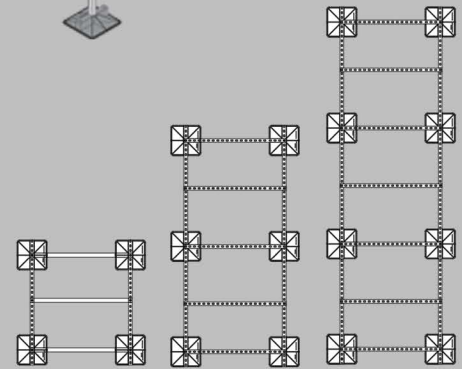
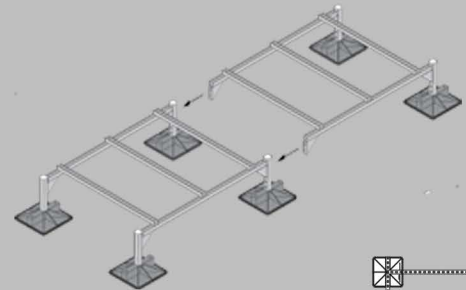


VRF STANDS

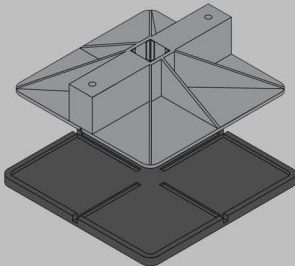
One Stop Shop for all Your VRF Condenser Stands & Accessories



Twin VRF Units
 On a Double Condenser Stand
 With Refrigeration lines supported
 On a Mighty Mount Nylon Base and Rubber Sub-base
 The Lines Penetrate the Roof through an N-5 Rubber
 Boot, 5-Port Curb Cap and 15" Curb



Top View of Single, Double and Triple VRF Condenser Stands



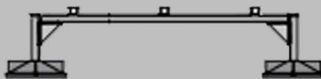
NB-500
 Nylon Base
 NB-500 UV Rated

Rubber
 Sub-base

NB-500 Nylon Base with
 Rubber Sub-base can
 support 500* lbs. each.

NB-500 UV Rated

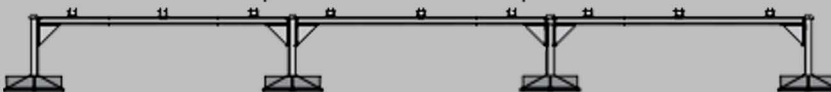
Condenser Stands are Available in Standard Sizes for Single, Double and Triple Units, Compatible with All VRF Manufacturers. Also Custom Stands can be Made to Special Sizes to Accommodate Specific Conditions



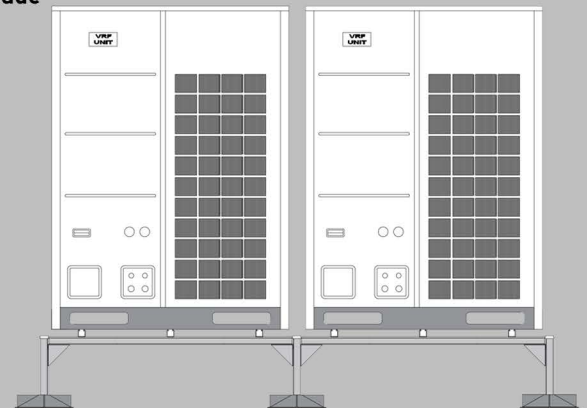
Single Condenser Stand



Double Condenser Stand



Triple Condenser Stand

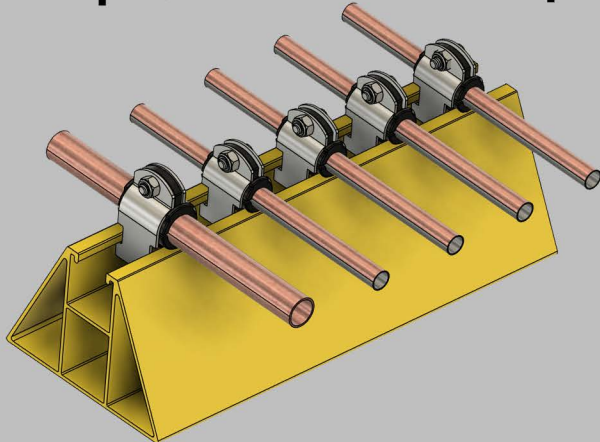


*500 lb. load is based on limiting the load on the roof membrane to 3 psi.

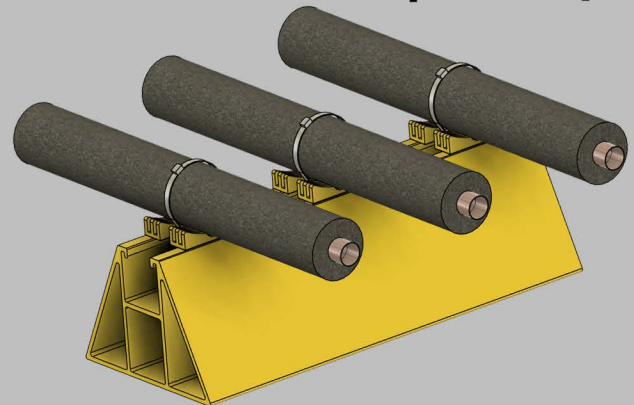


Mighty Mount Jr.

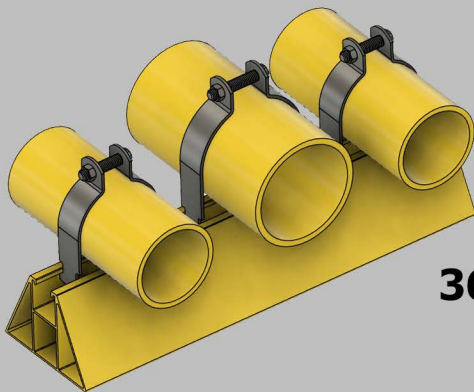
12" MM Jr. Base with Copper Pipe and Cushion Clamps



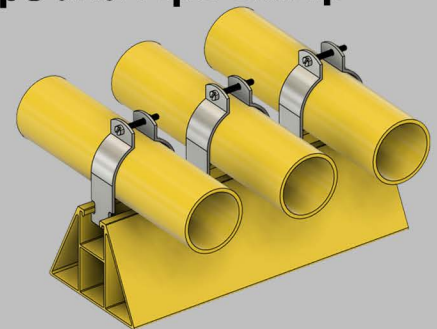
12" MM Jr. Base with Insulated Refrigeration Pipe and Universal Pipe Clamp



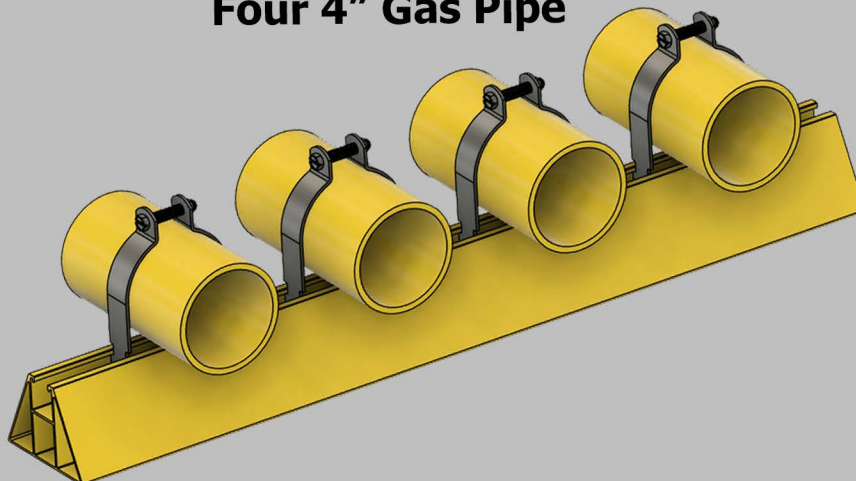
18" MM Jr. Base with One 4" and Two 3" Gas Pipe



12" MM Jr. Base with 2-1/2" Gas Pipe and Pipe Clamp



36" MM Jr. Base with Four 4" Gas Pipe



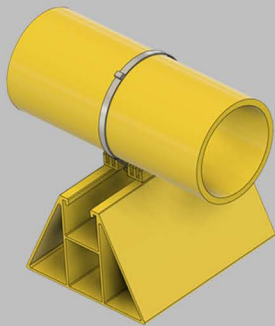


Mighty Mount Jr.

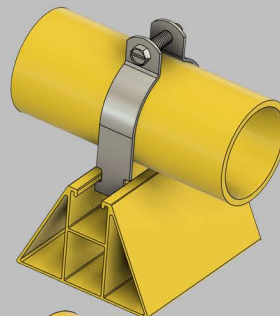
Gas Pipe Support System 3.5" High x 5.0" Wide

6" Mighty Mount Jr. Can Support Gas Pipe up to 3" in Diameter, Spaced 10 Foot on center*

MM Jr. with Built-in Unistrut



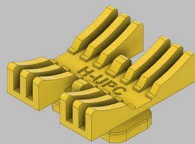
6" MM Jr. Base with 3" Gas Pipe and Universal pipe Clamp and Stainless Steel Zip Tie



6" MM Jr. Base with 3" Gas Pipe and Pipe Clamp

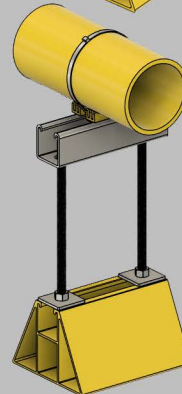


Stainless Steel Clamp



Universal Pipe Clamp

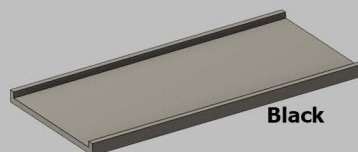
For Use with Gas Pipe 1/2" to 4"



6" MM Jr. Base with 3" Gas Pipe Supported on 3/8" Allthread Rod and Universal Pipe Clamp with Stainless Steel Zip Tie.

Mighty Mount Junior	
Schedule 40 Gas Pipe	
Size	Weight
2" Dia.	3.66 lb./ft.
2.5" Dia.	5.80 lb./ft.
3" Dia.	7.58 lb./ft.
3.5" Dia.	9.12 lb./ft.
4" Dia.	10.80 lb./ft.

Mighty Mount Jr. Rubber Support Pad



**Made of SBR Rubber
5-3/4" wide X 12" Long
1/4" Thick**

Available Lengths 6", 12", 18", 36"

6" Supports 90 lbs.

12" Supports 180 lbs.

18" Supports 270 lbs.

36" Supports 540 lbs.

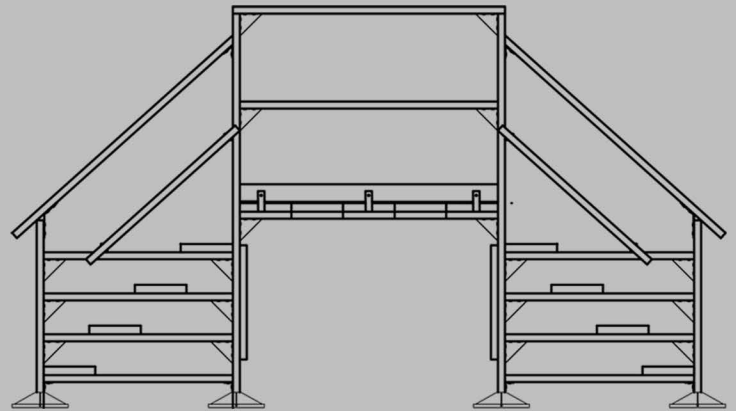
*Allowable load is limiting the load on the roof membrane to 3 psi.



Cross Over Stairs

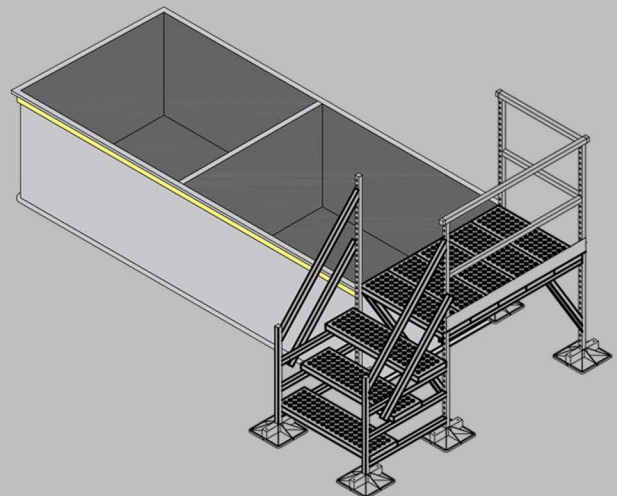


Custom Built to your Specifications



Side View

- Maximize safety by creating clear walkways over rooftop obstacles.
- Built to last - heavy duty, weather resistant construction to ensure long term performance.
- Tailored to your roof - available in multiple sizes & configurations to fit your layout.
- Available as knockdown or factory assembled for a fast and hassle free install.



H R A N E C

Corporation

H R A N E C
Ductwork
Catalog



Over 30 Years of
Manufacturing
Experience



Round



Oval



Rectangular

Product
Manufactured
in
USA

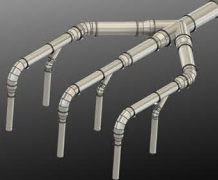
Product
Manufactured
by
**Union
Labor**

Complete Line of Manufactured Accessories




USA
DUST DUCT
Dust Collection Duct System
hranec.com

Submital Information Guide

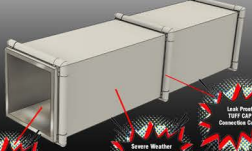


A product manufactured by Hranec Corp.
Contact Info: Dave Pocrabsky
Phone #: 724-437-2211 Email: dave@hranec.com




USA
TUFF DUCT
SYSTEMS
tuffduct.com

Your #1 Leader in
Outdoor Ductwork Products



Leak Proof
TUFF DUCT
Overlapped Seals

Green Material
Resistant to Rust
Over Steel

Resists
R-Value Penetration

MADE IN USA Standard
Ductwork Install
Practices

**ENERGY
EFFICIENT**

HVAC System
Guaranteed for
25 Years

SMAGNA
Approved

A PRODUCT MANUFACTURED BY HRANEC CORP. 724-437-2211 info@hranec.com



H R A N E C
CORP.
ROOF PRODUCTS

CURBS & RAILS

PIPE PORTALS

DROP BOX DIFFUSER

BURGLER BAR

**PITCHED
METAL ROOF SUPPORT**

GRAVITY VENT



724-437-2211
www.hranec.com